

SBC324

3U VPX 2nd Generation Intel® Core™ based Single Board Computer

The SBC324 Rugged Single Board Computer (SBC) from Abaco Systems features the high performance, highly integrated 2nd Generation Core i7 processor platform from Intel.

2nd Generation Core i7 with fully integrated graphics and memory controller plus dual and quad core processing up to 2.5 GHz offers better performance per watt – all in one device. Coupled with the Intel QM67 Chipset this provides an unmatched level of I/O bandwidth for both on-board and off-board functions.

Features of the 2nd Gen Core i7 processor

- Intel® vPro technology:
 - Intel® VT adds hardware assisted performance acceleration
 - Intel® TXT is a hardware based security foundation to build and maintain a chain of trust, to protect the platform from software based attacks
- Advanced Vector Extensions (AVX) signal processing
 - Intel's AVX doubles the vector register size from 128 to 256 bits for up to a 2x FLOP improvement

- Advanced Encryption Standard (AES)
- Intelligent performance on-demand with Intel Turbo Boost Technology
- Hyper-Thread Technology – Up to 4 processing cores (2 threads per core) – provides increased performance and processing efficiency
- Streaming SIMD extensions 4.1/4.2

In addition to a comprehensive range of onboard IO features, the SBC324 also offers an on-board XMC mezzanine expansion site for enhanced system flexibility. Memory resources include up to 8 GB DDR3 SDRAM with ECC, 32 GB NAND Flash, and optional hard drive via XMC.

The SBC324 is designed to meet the requirements of a wide range of applications from industrial through to fully rugged Defense and Aerospace programs. It offers extended temperature capability and a range of air and conduction cooled build levels.

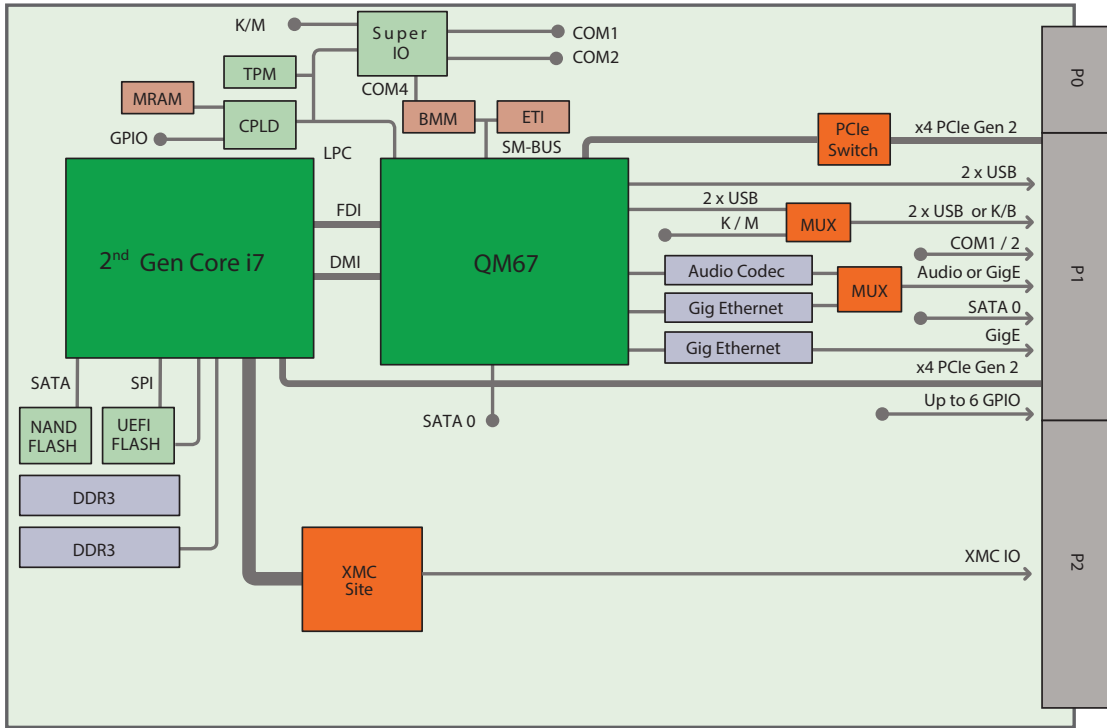
A rich software choice is planned for the SBC324, including comprehensive Deployed Test Software (BIT and BCS) plus OS support for Windows 7, Open Linux, VxWorks®, LynxOS® and LynxOS-SE®.

FEATURES:

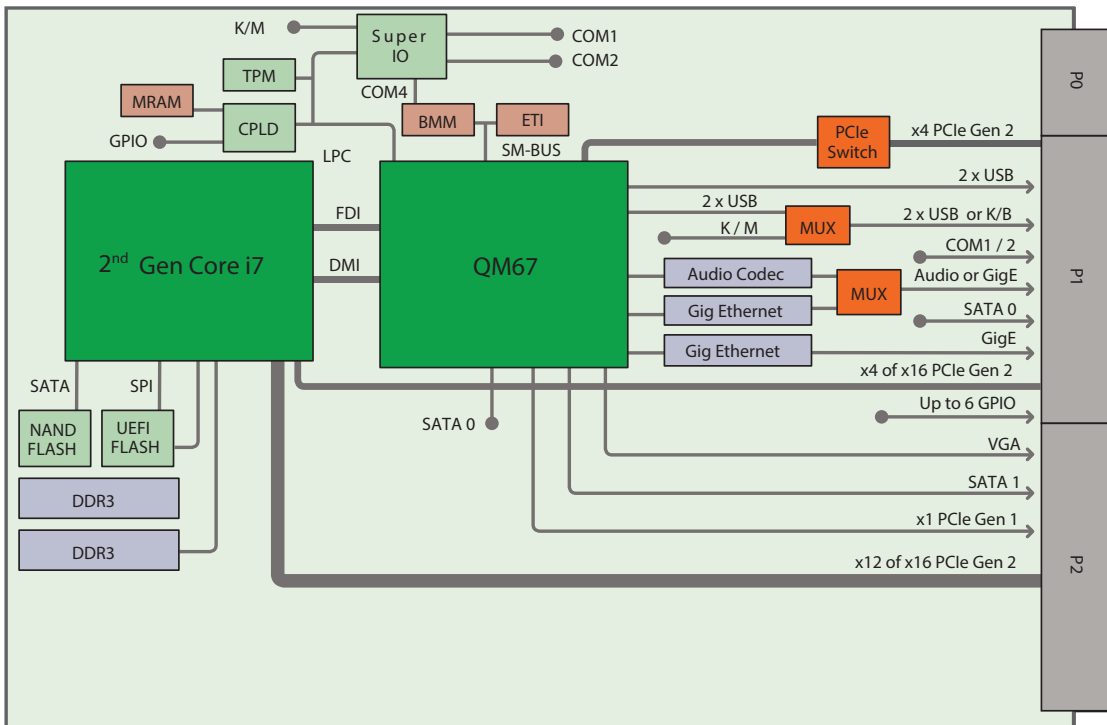
- 3U OpenVPX Single Board Computer
- 2nd Generation Intel Core i7 dual and quad core processors
- Dual-channel DDR3 (up to 8 GB) @ 1333 MHz
- Up to 32 GB NAND Flash
- 512 kB MRAM (non-volatile storage)
- Multiple PCIe fabric backplane configurations
 - x16 PCIe GEN 2 option (no XMC)
 - 4x PCIe GEN 2 with NTB capability, also GEN 1 x1 PCIe
- 1x XMC Site with I/O
- 2x 10/100/1000BaseT
- HD Audio
- 2x RS-232/422 COM ports
- 1x PS/2 Keyboard and mouse
- 2x SATA (6 Gb/s)
- 1x VGA
- 4x USB 2.0
- 6x Single-Ended GPIO (5V tolerant)
- Watchdog, Timers, Sensors
- BMM (Board Management Microcontroller), ETI, TPM
- VITA65 OpenVPX Compatible
 - MOD3-PAY-2F2T-16.2.5-3
 - MOD3-PAY-2F-16.2.7-1
- Deployed Test Software
- Windows®, Linux®, and Real-Time OS Support
- Five Levels of Ruggedization

SBC324 3U VPX 2nd Generation Intel® Core™ based Single Board Computer

Block Diagram



SBC 324 XMC



SBC 324 x16



SBC324 3U VPX 2nd Generation Intel® Core™ based Single Board Computer

Specifications

Processor

- Intel 2nd Gen. Core i7 Processor, options include but are not limited to
 - i7-2715QE (Quad core) @ 2.1 GHz (45W)
 - i5-2515E (Dual core) @ 2.5 GHz (35W)
 - i7-2655LE (Dual core) @ 2.2 GHz (25W)
 - i7-2610UE (Dual core) @ 1.5 GHz (17W) (Actual speed/power is dependent on environment)
- 32nm monolithic die processing technology
- Last Level Cache
 - 6 MB (Quad i7)
 - 4 MB (Dual i7)
 - 3 MB (Dual i5)

SDRAM

- Maximum memory configuration of up to 8 GB DDR3 SDRAM @ 1333 MHz soldered with ECC

Flash Memory

- Soldered NAND flash array up to 32 GB

Ethernet

- Dual Gigabit Ethernet interface via Intel's 82574
- Gigabit Ethernet controllers - routed to VPX P1

USB Ports

- Up to 4x USB 2.0 ports routed to VPX P1
- 2x ports available if GPIO and PS/2 are utilized

Keyboard and Mouse

- 1x PS/2 port routed to P1, multiplexed signal with USB

Fabric Interface

- Allows high speed PCI Express connections to other cards in the system
 - x4 PCIe VPX P1; configurable as Non-Transparent (NTB) for peer-to-peer capability
 - x4 / x16 PCIe (split across P1/P2), x16 available without XMC
 - Also GEN 1 x1 PCIe

OpenVPX Profile

- Module Profile: MOD3-PAY-2F2T-16.2.5-3
- Module Profile: MOD3-PAY-2F-16.2.7-1

Serial Ports

- Two 16550 compatible full duplex async serial ports
 - COM1 routed to VPX P1 RS-232/422
 - COM2 routed to VPX P2 RS-232/422
- Ports feature independent 16-byte FIFO supporting baud rates up to 115 Kbaud

Serial ATA

- 2x SATA Revision 3.0 capable (6 Gb/s)
- One routed to VPX P1; the other to VPX P2
- SATA port on P2 is a multiplexed signal with XMC IO

Audio

- High Definition Audio Codec
- Stereo line in and stereo line out

Video Controller

- 1x VGA port routed to VPX P2; multiplexed signal with XMC IO

General Purpose I/O

- Up to 6x GPIO (P1 rear IO), TTL 5V tolerant GPIO each capable of generating an interrupt.

XMC Expansion Slot

- x8 PCIe XMC site (P2 rear IO)
- 8 differential pairs, plus 12 differential pairs, plus 24 single ended signals

NVRAM / Real-Time Clock / Watchdog / ETI / TPM / BMM

- 512kB non-volatile RAM (MRAM)
- Real-time clock in CPLD (software programmable)
- Watchdog timer (software programmable)
- Elapsed Time Indicator (record power cycles and on-time)

- TPM (Trusted Platform Module)
- Baseboard Management Controller (IPMI)

Temperature Sensor

- Onboard ambient temperature; CPU

LED

- 1x power
- 4x BIT status (software control)

Power Requirements

- +5V / 3.3V required
- +/-12V for XMC/PMC module only

Note: The SBC324 is designed to provide flexibility and scalability to the user. Use of the XMC I/O affects the availability of other I/O features. Due to the nature of multiplexed signals, I/O configurations also may be limited. Please contact your Abaco Systems representative for viable configurations.

	SBC324-xxxx0xxx	SBC324-xxxx1xxx
XMC IO	1	-
x16 PCIe	-	1
x 4 PCIe	2	1
x 1 PCIe	-	1
COM	2	2
USB	2	Either/or
K / M	-	
GigE	2	1
Audio	-	1
SATA	1	2
VGA	-	1
GPIO	2	2

Environmental

	Level 1	Level 2	Level 3	Level 4	Level 5
Cooling Method	Convection	Convection	Convection	Conduction	Conduction
Conformal Coating	Optional	Standard	Standard	Standard	Standard
High/Low Temp	0 to 55°C	-20 to +65°C	-40 to +75°C	-40 to +75°C	-40 to +85°C
Operational	(300 ft/m)	(300 ft/m)	(600 ft/m)	At cold wall	At cold wall
Random Vibration	0.002g2/Hz*	0.002g2/Hz*	0.04g2/Hz**	0.1g2/Hz**	0.1g2/Hz**
Shock	20g***	20g***	20g***	40g***	40g***

*With a flat response to 1000 Hz, 6 dB/Oct roll-off from 1000 to 2000 Hz ** From 10 to 1000 Hz ***Peak sawtooth 11 ms duration

WE INNOVATE. WE DELIVER. YOU SUCCEED.

Americas: 866-OK-ABACO or +1-866-652-2226 **Asia & Oceania:** +81-3-5544-3973

Europe, Africa, & Middle East: +44 (0) 1327-359444

Locate an Abaco Systems Sales Representative visit: abaco.com/products/sales

abaco.com  [@AbacoSys](https://twitter.com/AbacoSys)

©2016 Abaco Systems. All Rights Reserved. All other brands, names or trademarks are property of their respective owners. Specifications are subject to change without notice.

