



SCVPX3U-7C

3U VPX Starter Cage (7 slot)

The SCVPX3U-7C OpenVPX Starter Cage from Abaco Systems provides a flexible, cost-effective platform designed to support Abaco Systems' latest 3U OpenVPX modules. The platform is suitable for software development, integration, and test of OpenVPX board level modules.

Abaco Systems' range of Circuit Card Assemblies (CCAs) are designed for use in a variety of convection, conduction and airflow-through module build styles. System integrators can develop and field-test this platform, secure in the knowledge that the same cards used in the laboratory and field demonstrations can be ordered in different build styles as required to meet the environmental requirements of a range of airborne, ground and naval platforms.

The SCVPX3U-7C comprises a 7-slot backplane, card cage, PSU, cooling fan, provision for auxiliary storage and all internal power wiring.

The card cage incorporates guide rails and alignment keys on the backplane to assist with correct board insertion. Once installed, cards can be firmly secured by front panel fixing screws. Cooling is by push convection, using a fan at the bottom of the card cage. Airflow is adjustable by a front panel knob.

With the boards accessible from the front of the enclosure, to allow easy access to rear I/O, the area behind the entire backplane is kept free. This allows easy fitting of Abaco Systems' range of Rear Transition Modules (RTMs) and any associated cabling.

FEATURES:

- Backplane complies with VITA 46.0 and ANSI/VITA 65-2010
- Seven 3U VPX slots (one switch, six payload)
- Payload Slot Profile SLT3-PAY-2F2U-14.2.2
- Switch Slot Profile SLT3-SWH-6F6U-14.4.1
- IEEE Std 1101.10-compliant card frame
- 750W auto-ranging Power Supply
- Adjustable forced-air cooling
- Configurable rear and front I/O panels
- Removable side panels
- System reset switch

SCVPX3U-7C 3U VPX Starter Cage (7 slot)

Specifications

Form Factor

- 7U height
- 84HP width

Cooling

- The chassis includes a 127 CFM fan below the card edge to force air over the boards

3U VITA 46 Backplane

- 7-slot 3U VPX (1 switch, 6 payload)
- 1" pitch slot width

Rear I/O

- Each board has slots for Rear Transition Modules (RTMs) to break out into standard commercial connectors

Temperature

- The chassis is designed for benign lab use only

Hard Drive connectivity

- The chassis provides a bundle of auxiliary power connectors for powering up to ten external IDE hard disk drives and up to eight SATA devices. These are available in the base of the chassis as a loose wiring harness.

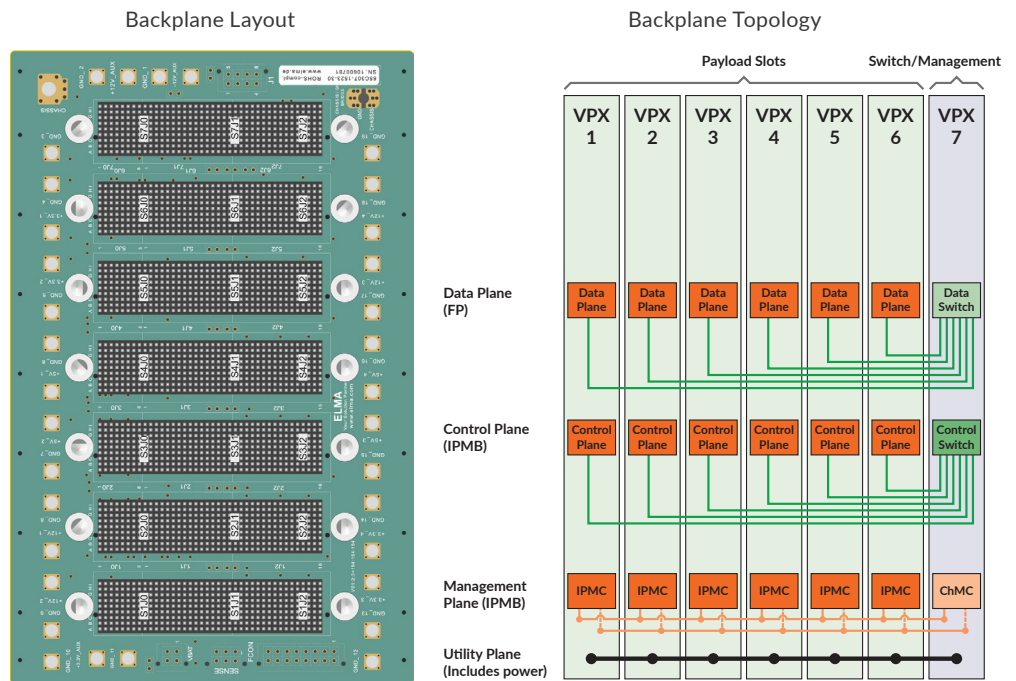
Dimensions (WxHxD)

- 350.4 mm x 511.8 mm x 298.1 mm
- Weight 13.25 Kg (29.25 lbs.)

PSU Output Capacities

Output Voltage	SCVPX3U-7C Reference	Max. Load (Amps)	Max. Output (Watts)
+12V	Vs1, P12V_AUX	62	744
+3.3V	Vs2	25	150
+5V	Vs3	25	150
-12V	N12V_AUX	0.5	6
STDBY	P3V3_AUX	3	15

Block diagram



WE INNOVATE. WE DELIVER. YOU SUCCEED.

Americas: 866-OK-ABACO or +1-866-652-2226 Asia & Oceania: +81-3-5544-3973

Europe, Africa, & Middle East: +44 (0) 1327-359444

Locate an Abaco Systems Sales Representative visit: abaco.com/products/sales

abaco.com @AbacoSys

©2016 Abaco Systems. All Rights Reserved. All other brands, names or trademarks are property of their respective owners. Specifications are subject to change without notice.

