



SCVPX6U-6CG

6U VPX GPGPU Starter Cage (6 slot)

The SCVPX6U-6CG OpenVPX Starter Cage from Abaco Systems provides a flexible, cost-effective platform designed to support Abaco's latest 6U OpenVPX GPGPU modules. The platform is suitable for hardware and software evaluation plus higher levels of integration, test and demonstration.

Abaco's GPGPU Starter Cage allows system integrators to evaluate products in a laboratory environment, using different PCIe topologies to prove out system architectures and performance.

The SCVPX6U-6CG comprises a 6-slot backplane, card cage, PSU, cooling fan, provision for auxiliary storage and all internal power wiring.

Two of the slots are designed to take a dual GPU card, such as the MXM940A, with 16-lanes of PCIe connected to each GPU, using the P1 and P5 connectors.

Two separate GPGPU nodes are configured; the first with two CPU slots each connected using 16-lane PCIe to a GPU. The second node has one CPU connected with 8-lanes of PCIe to each GPU node.

With the boards accessible from the front of the enclosure, to allow easy access to rear I/O, the area behind the entire backplane is kept free. This allows easy fitting of Abaco's range of Rear Transition Modules (RTMs) and any associated cabling.

FEATURES:

- Development chassis for CUDA-capable NVIDIA Graphics Processors
- Backplane complies with VITA 46.0 and ANSI/VITA 65-2010
- Six 6U VPX slots
- Arranged as two GPGPU nodes and a centralized switch
- Node 1:
 - Two CPUs, each with PCIe x16 to a GPU
- Node 2:
 - One CPU with two PCIe x8, each to a GPU
- Payload Slot Profile SLT6-PAY-4F1Q2U2T-10.2.1
- Switch Slot Profile SLT6-SWH-16U20F-10.4.2
- IEEE Std 1101.10-compliant card frame
- 1200W auto-ranging Power Supply
- Adjustable forced-air cooling
- Configurable rear and front I/O panels
- Removable side panels
- System reset switch

SCVPX6U-6CG 6U VPX GPGPU Starter Cage (6 slot)

Specifications

6U VPX Backplane

- 6-slot 6U VPX
- Four 1" pitch slot width (CPU & switch)
- Two 2" pitch slot width (GPU)

Rear I/O

- Each board has slots for Rear Transition Modules (RTMs) to break out into standard commercial connectors
- Temperature
- The chassis is designed for benign lab use only

Hard Drive connectivity

- The chassis provides a bundle of auxiliary power connectors for powering up to four external IDE hard disk drives and up to two SATA devices. These are available in the base of the chassis as a loose wiring harness.

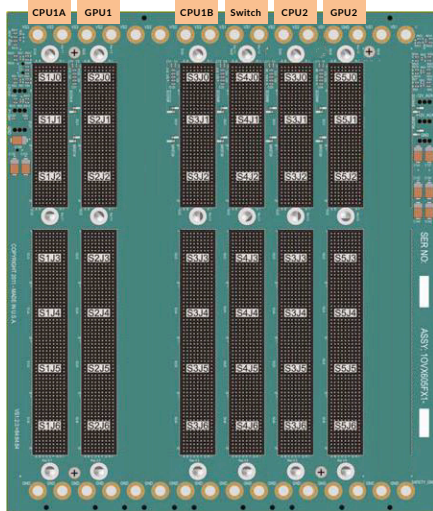
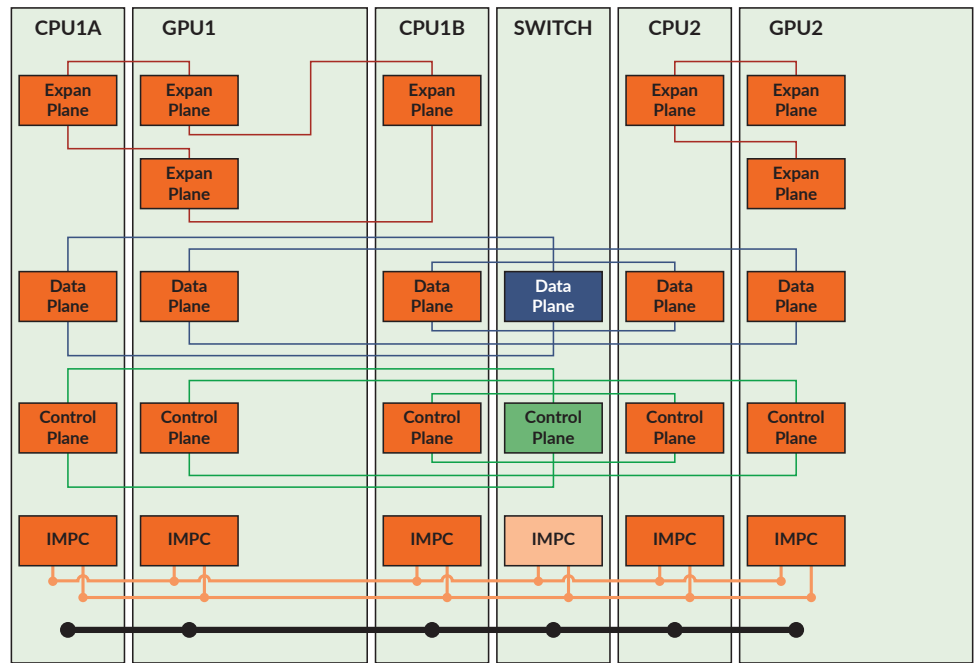
Form Factor

- Portable unit
- Standalone bench-top unit

Cooling

- The chassis includes a 127 CFM fan below the card edge to force air over

Block diagram



WE INNOVATE. WE DELIVER. YOU SUCCEED.

Americas: 866-OK-ABACO or +1-866-652-2226 Asia & Oceania: +81-3-5544-3973

Europe, Africa, & Middle East: +44 (0) 1327-359444

Locate an Abaco Systems Sales Representative visit: abaco.com/products/sales

abaco.com @AbacoSys

©2016 Abaco Systems. All Rights Reserved. All other brands, names or trademarks are property of their respective owners. Specifications are subject to change without notice.

