

SCVPX6U-903

6U OpenVPX Starter Chassis

The SCVPX6U-903 starter chassis from Abaco Systems provides a flexible and cost-effective platform supporting Abaco and third party 6U OpenVPX modules for system development and integration.

The SCVPX6U-903 supports high speed data plane at up to 6.25Gbaud, and features an integrated power supply unit that can deliver up to 1250Watts. System cooling is adjustable via push and pull cooling fans for optimum performance.

Abaco's HPEC Center of Excellence can supply fully integrated and tested starter systems with the latest boards and software. Contact Abaco Systems for more information on this and other HPEC platforms including Abaco's latest 3U VPX offering.

Accelerated SW development

The AXIS application development framework shortens time-to-solution and reduces risk and cost by providing a user friendly interface to the scalable multi-processor platform. Application developers can get off to a quick start by using preconfigured DSP examples and performance libraries to harness the full potential of the underlying hardware. Further application tuning turns concepts into flyable customer demonstrations within a matter of days rather than months.

Planned technology refresh:

Abaco OpenVPX product road maps offer form, fit & function upgrades to safe guard our customers' investment in application SW. This multi-generation product set harnesses mainstream, cluster computing and network technology from the wider HPC market to the benefit of defense and aerospace system integrators across an expanding landscape of rugged deployed platforms.



FEATURES:

Abaco HPEC Hardware Solution Sets

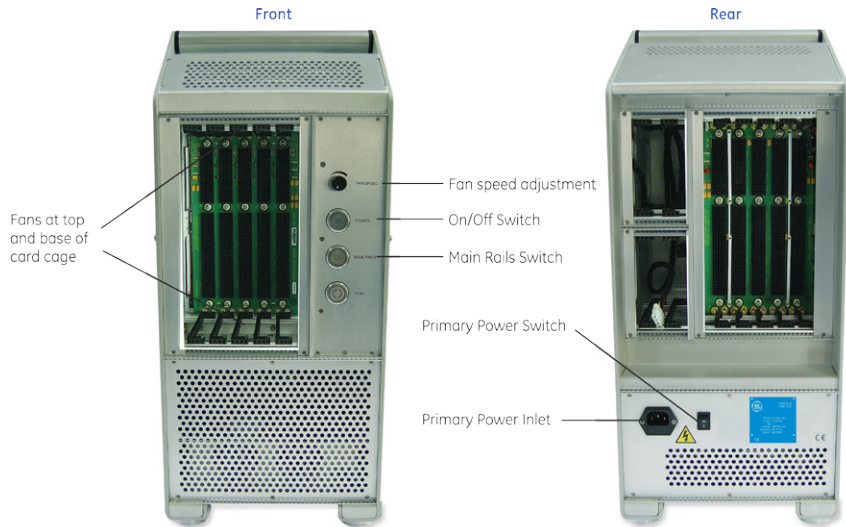
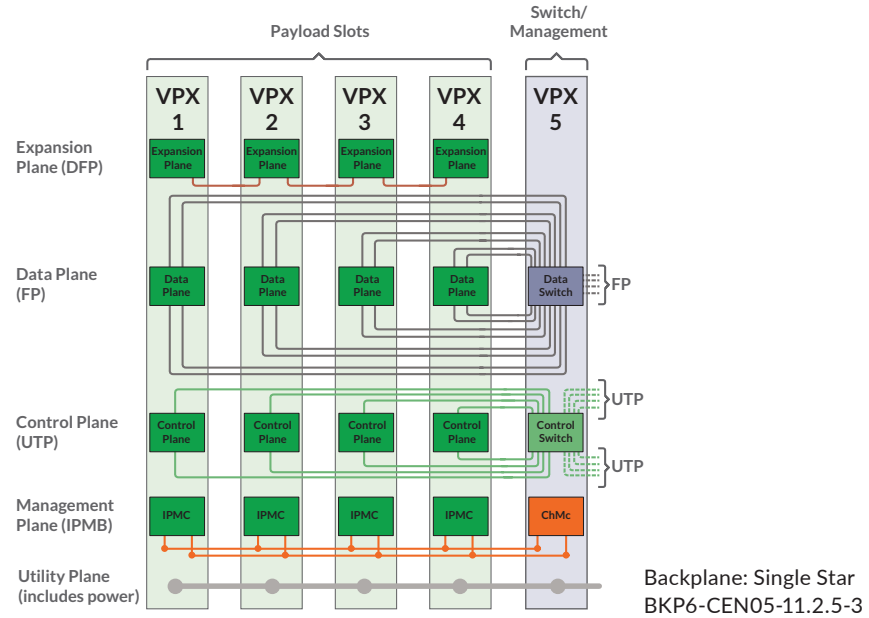
- Intel® and Power Architecture®
- Single board computers
- Multiprocessors
- NVIDIA® GPGPU processors
- PMC/XMC carrier cards
- Data and sensor I/O XMCs
- 10Gigabit Ethernet or InfiniBand® switch fabric modules
- Abaco HPEC Software Solution Sets
- Linux®, VxWorks® or Windows®
- Application-ready platforms
- AXIS Advanced Multiprocessor Integrated Software

SCVPX6U-903 6U OpenVPX Starter Chassis

Specifications

- Backplane complies with VITA 46.0 and ANSI/VITA 65-2010
- Five 6U VPX slots – four payload and one switch
- Payload slot profile SLT6-PAY-4F1Q2U2T-10.2.1
- Switch slot profile SLT6-SWH-16U20F-10.4.2
- Enhanced Data Plane with signaling rates up to 6.25 GHz
- IEEE Std. 1101.10-compliant card frame
- 1000W autoranging PSU
- Adjustable forced-air cooling
- Configurable rear and front I/O panels
- Removable side panels
- System reset switch

Block diagram



WE INNOVATE. WE DELIVER. YOU SUCCEED.

Americas: 866-OK-ABACO or +1-866-652-2226 Asia & Oceania: +81-3-5544-3973

Europe, Africa, & Middle East: +44 (0) 1327-359444

Locate an Abaco Systems Sales Representative visit: abaco.com/products/sales

abaco.com @AbacoSys

©2016 Abaco Systems. All Rights Reserved. All other brands, names or trademarks are property of their respective owners. Specifications are subject to change without notice.

